

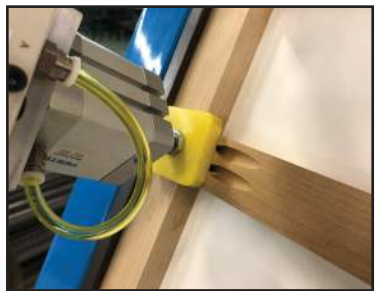
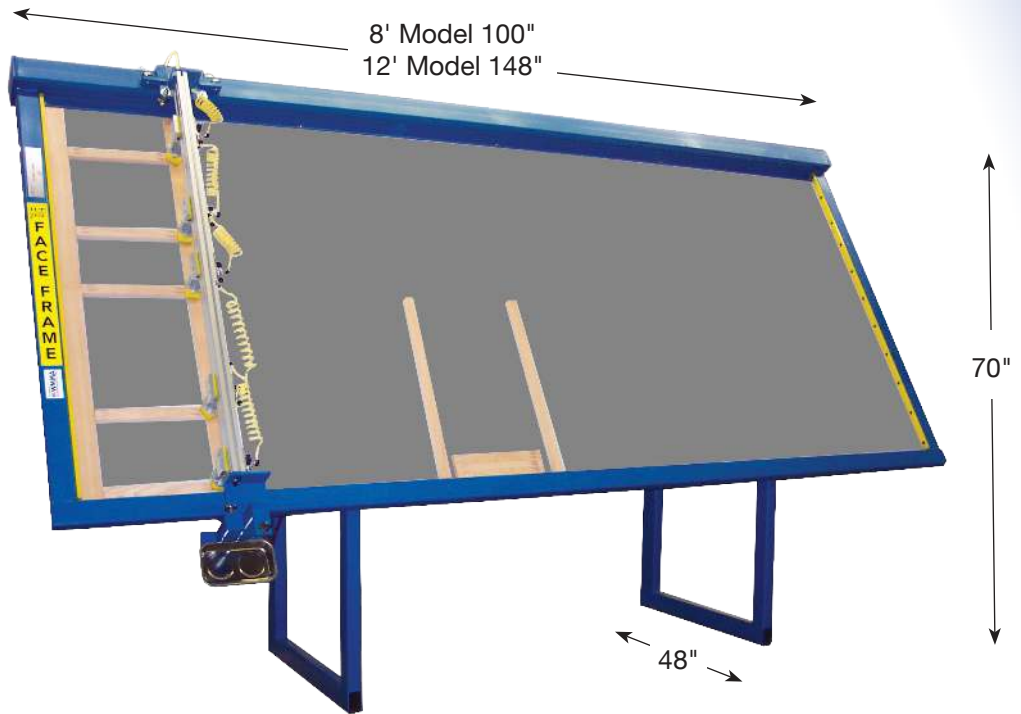


#720A Face Frame Table

High Quality Frames from a Versatile Design



- 5 Clamping air cylinders
- One-piece replaceable melamine surface
- Magnetic tray for screw gun and hardware



Innovative vertical pressure arm has easy adjusting pressure cylinders with individual pneumatic activation

Features

- 2 Models available: 5' x 8' and 5' x 12'
- Clamping arm is roller mounted
- Individual cylinders slide and lock into place
- Master switch activates or releases all clamping cylinders
- Additional clamping arms and cylinders are available
- Single air hookup, 0-100 PSI
- Minimum thickness 5/8"
- Maximum thickness 1-3/8"
- Fully assembled all-steel frame

For more information, call **845-452-3780**
jamestaylor.com
bryan@jamestaylor.com

Made in USA
Poughkeepsie, NY 