



**MY
NEW F45.**

SPECIFICATION AND OPTIONS



WE INVENTED THE SLIDING TABLE SAW. NOW WE ARE REINVENTING IT.

YOUR NEW ALTENDORF.

The world has Wilhelm Altendorf to thank for the sliding table saw. His invaluable invention, which first saw the light of day in 1906, enabled users to make a straight trim cut in a plank – an essential precursor to the 90° crosscut – for the first time. Woodworkers all over the world have been reaping the benefits of this remarkable invention ever since, with more than 200,000 Altendorf machines sold worldwide to date. Unsurprisingly perhaps, the intervening years have also seen the Altendorf name become synonymous with the sliding table saw. The new generation redefines the Altendorf F45 all over again: new design, the latest technology, new ease of use and unrivalled precision.





CONTENTS

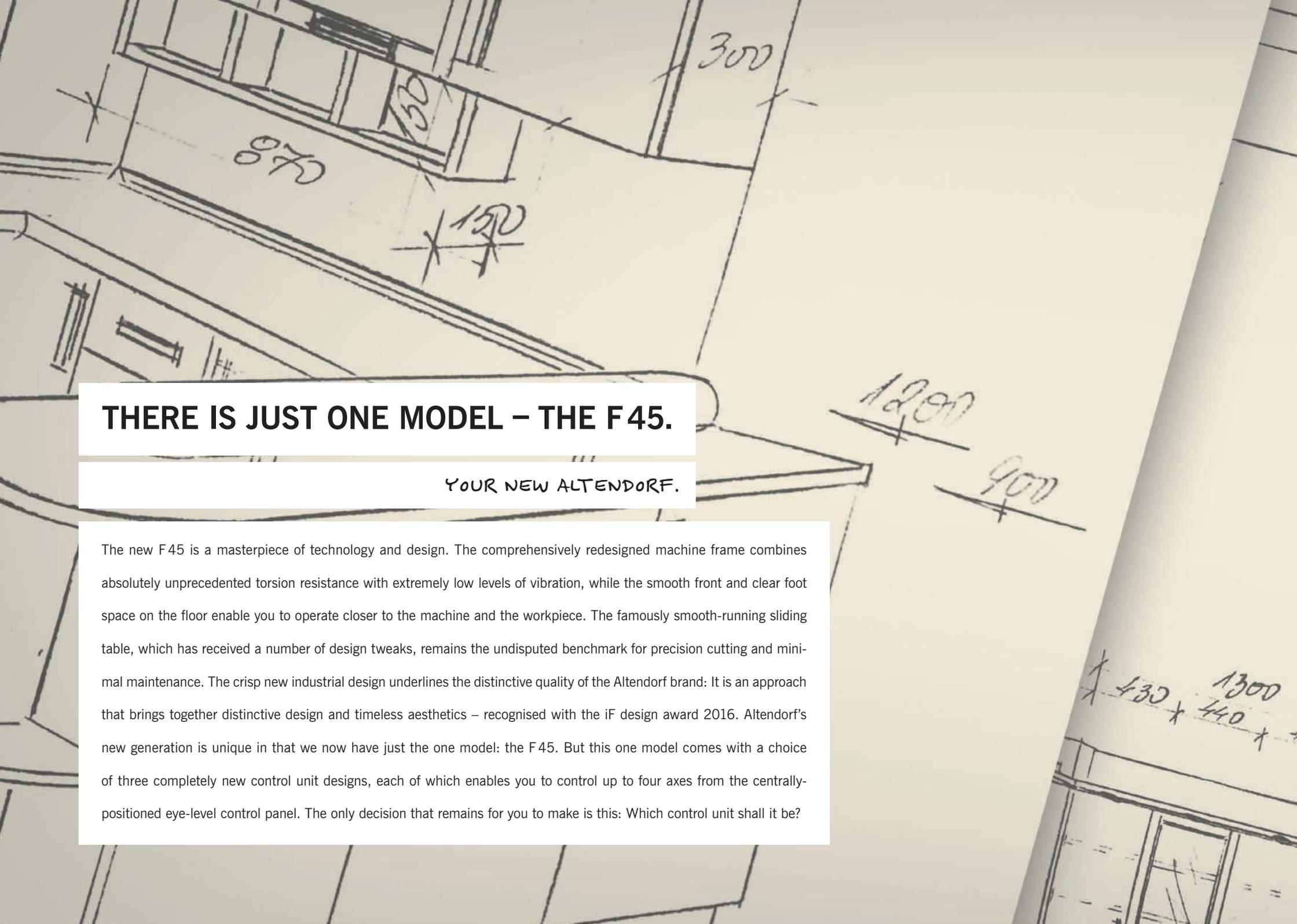
- 04–05 The Altendorf principle
- 06–07 Basic specification/desired specification

- 08–09 F45 ProDrive control unit
- 10–11 F45 EvoDrive control unit
- 12–13 F45 ElmoDrive control unit
- 14–15 Control units compared

- 16–31 Options

- 32–33 Technical specifications

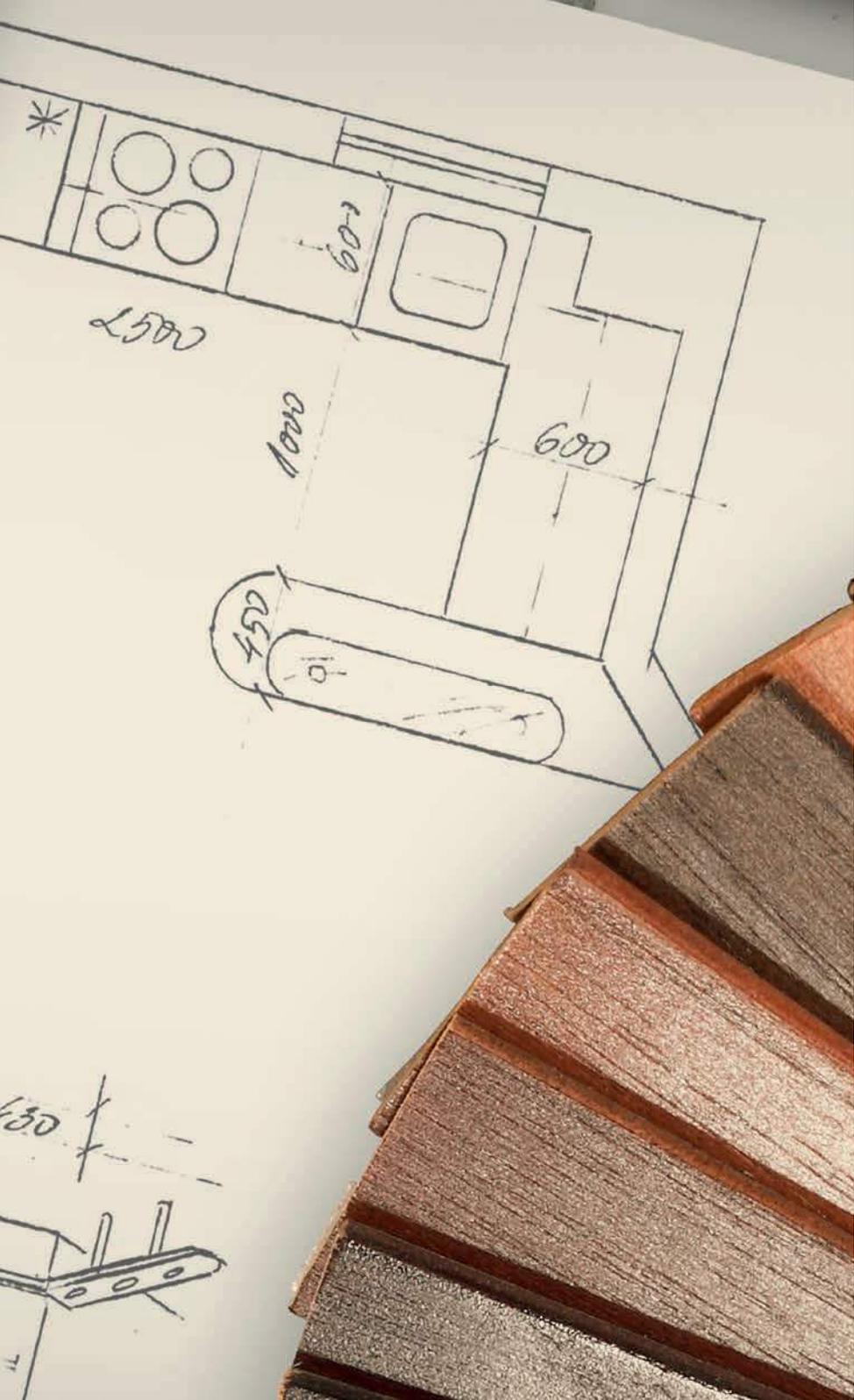
- 34–35 Altendorf services



THERE IS JUST ONE MODEL – THE F 45.

YOUR NEW ALTENDORF.

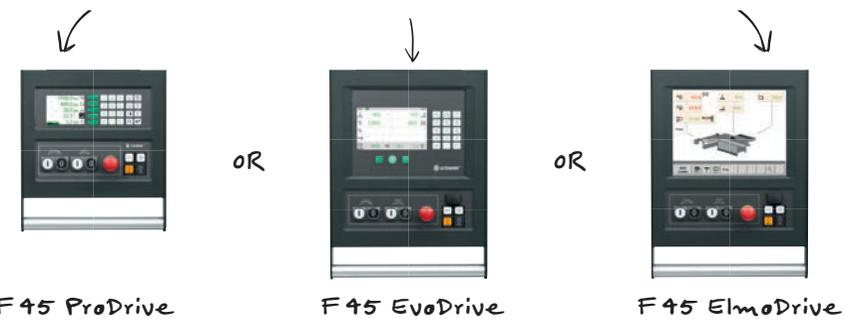
The new F 45 is a masterpiece of technology and design. The comprehensively redesigned machine frame combines absolutely unprecedented torsion resistance with extremely low levels of vibration, while the smooth front and clear foot space on the floor enable you to operate closer to the machine and the workpiece. The famously smooth-running sliding table, which has received a number of design tweaks, remains the undisputed benchmark for precision cutting and minimal maintenance. The crisp new industrial design underlines the distinctive quality of the Altendorf brand: It is an approach that brings together distinctive design and timeless aesthetics – recognised with the iF design award 2016. Altendorf's new generation is unique in that we now have just the one model: the F 45. But this one model comes with a choice of three completely new control unit designs, each of which enables you to control up to four axes from the centrally-positioned eye-level control panel. The only decision that remains for you to make is this: Which control unit shall it be?



YOUR NEW F 45.



CHOOSE YOUR CONTROL UNIT



CHOOSE YOUR OPTIONAL EXTRAS



OUTSTANDING DESIGN MEETS OUTSTANDING TECHNOLOGY.

BASIC SPECIFICATION

- ▶ Motorised rise/fall and tilt adjustment (0–46°) for main saw blade with automatic cutting height correction when the saw blade is tilted
- ▶ Eye-level control unit, swivel-mounted
- ▶ Sliding table, table length 3,000 mm
- ▶ Rip fence, manual adjustment using graduated scale, includes fine adjustment, cutting width 1,000 mm
- ▶ Crosscut fence with fixed 90° angle, manual adjustment using graduated scale up to 3,200 mm
- ▶ Maximum saw blade projection 154 mm, maximum saw blade diameter 450 mm
- ▶ Motor rating 5.5 kW (7.5 HP), three speeds (3,000/4,000/5,000 rpm)
- ▶ AKE tool clamping system for the main saw blade
- ▶ Working height 91 cm

MACHINE IN BASIC SPECIFICATION WITH CONTROL UNIT

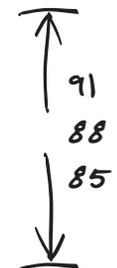
M18150	F 45 ProDrive
M18151	F 45 EvoDrive
M18152	F 45 ElmoDrive

WORKING HEIGHT

M44250	88 cm
M44260	85 cm



SELECTABLE WORKING HEIGHTS



Although the working heights for sliding table saws have kept rising in recent years, there has also been international demand for lower machines from Altendorf. We know that ergonomics is individual, and we have responded to this fact of life: We offer three working heights for the F 45 around the world: 85, 88 and 91 cm.

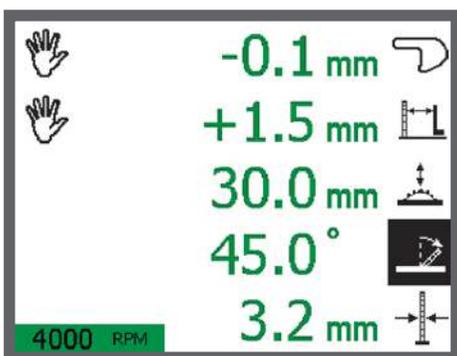


The photo shows your F45 desired specification with CNC crosscut fence UNO 90, CNC rip fence and toolbox.

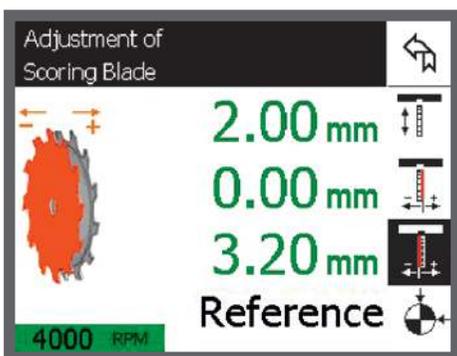
F45 ProDrive – CONTROL UP TO FOUR AXES AND MORE!

The swivel-mounted control unit offers unprecedented ease of use, clarity, safety and convenience. Even this entry-level option provides control of all four axes. All values and functions are displayed clearly on the screen, which has a 90 mm diagonal. Use the green keys to access the saw blade height and tilt functions (up to 46° in either direction) plus, depending on package configuration, the CNC rip fence, crosscut fence, scorer, VARIO (infinitely variable speed control between 2,000 and 6,000 rpm) options and the additional groove function. Use the white data entry keys to enter the corresponding values. Obviously the control unit can only control the hardware you have installed, so choose precisely the configuration options you need for your Altendorf.

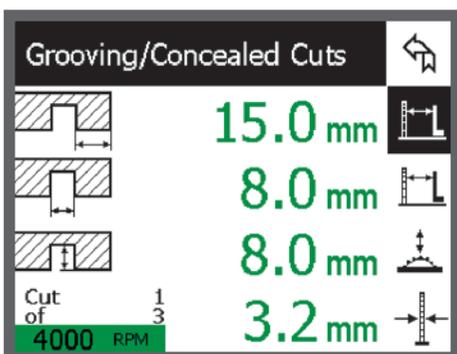




Machine in basic specification,
saw blade tilted, manual dimension
correction



Configuring the three-axis scorer*



Groove function/concealed cuts

F 45 ProDrive

- ▶ Motorised rise/fall and tilt adjustment (up to 46° in either direction *)
for main saw blade with automatic height correction and digital displays
- ▶ Motorised rip fence adjustment*
- ▶ Motorised adjustment of the UNO 90 CNC crosscut fence*
- ▶ Automatic position correction for rip fence and crosscut fence when saw blade tilted
- ▶ Digital speed display or infinitely variable speed control (VARIO)*
- ▶ Motorised scorer unit, two or three axes*
- ▶ Continuous precision axis control using +/- keys
- ▶ Control of the vacuum clamping system in the sliding table*
- ▶ Easy axis calibration
- ▶ Machine diagnostics
- ▶ Operating hours counter
- ▶ USB interface
- ▶ "Back" function to recall last set of dimensions entered
- ▶ Memory for 99 cutting programmes
- ▶ Groove function: rip fence automatically moves through sequence of positions necessary to realise the groove

MACHINE IN BASIC SPECIFICATION WITH CONTROL UNIT

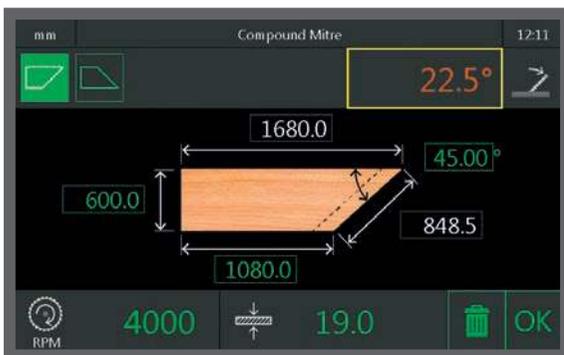
M18150 F 45 ProDrive

*optional accessory

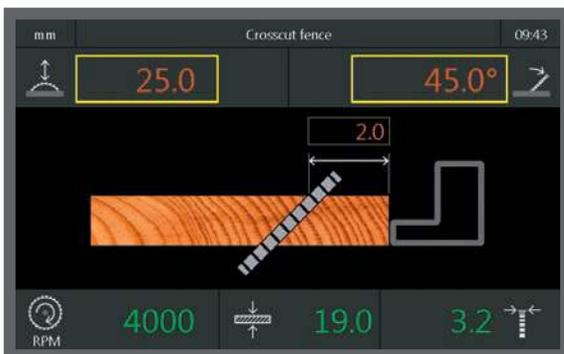
F 45 EvoDrive – EFFICIENCY-BOOSTING FEATURES ALREADY ONBOARD.

The new F 45 EvoDrive has a 7" touch screen with separate keyboard for entering numerical dimension specifications. It can control up to four axes, including saw blade tilt to either side. What distinguishes it from the F 45 ProDrive is further application technology: the F 45 EvoDrive defines inside and outside dimensions automatically from the material thickness data supplied, for example. It also brings you the pleasure of additional groove, incremental dimension and bevel rip features, which should simplify your work considerably – as, indeed, should the compound mitre function and the tool management system. The F 45 EvoDrive lets you store 999 programmes for rapid retrieval via the keyboard too. The green navigation keys enable you to find your way easily through the functions, go to the main menu or jump back a page. Another particularly useful feature is that the brightness of the display adjusts to suit different ambient lighting conditions to make sure you always have a good view of everything you need to be able to see. Try the F 45 EvoDrive and discover how we have already done much of the hard work for you!

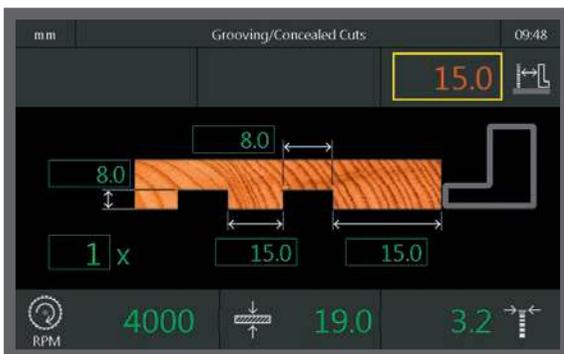




Compound mitre



Bevel rip



Groove

F 45 EvoDrive

- ▶ The F45 EvoDrive includes all of the functions of the F45 ProDrive control unit (pages 8 + 9) and more
- ▶ Automatic conversion of inside to outside dimensions for the rip fence and crosscut fence as a function of material thickness and set angle
- ▶ Compound mitre function with automatic calculation of missing angles/dimensions
- ▶ Enhanced tool management
 - Scorer position memory (three-axis scorer)*
 - Storage of master blade thickness and cutting width of the main tool
 - Storage of main tool speed
 - Memory for a maximum of 100 tools
- ▶ Additional functions
 - Groove function: rip fence automatically moves through sequence of positions necessary to realise the groove
 - Incremental dimension function: cutting sequences with identical distance at the rip fence, calculated on both sides of the saw blade
 - Bevel rip: the required finished size is achieved by cutting away the excess once the angle of the edge has been entered
 - Memory for 999 cutting programmes

MACHINE IN BASIC SPECIFICATION WITH CONTROL UNIT

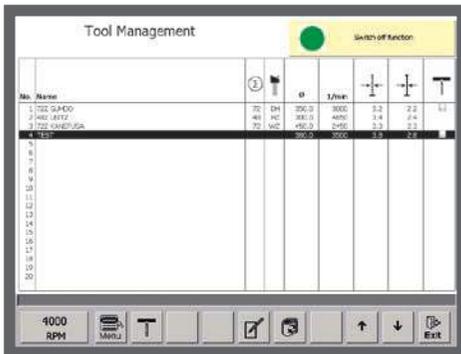
M18151 F 45 EvoDrive

*optional accessory

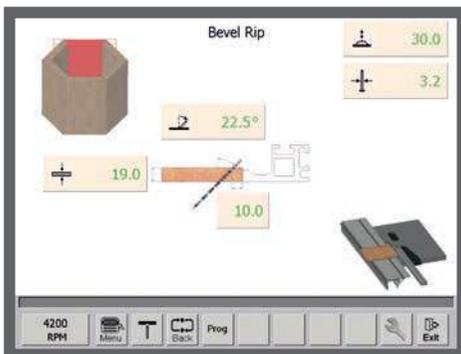
F 45 ElmoDrive – CONTROL TECHNOLOGY WITHOUT EQUAL.

The F 45 ElmoDrive incorporates the most advanced and comprehensive control technology in existence for sliding table saws. Positioned at eye level, it combines optimal ease of use and presentation with practical and ergonomic operation. The calculator, geometric shapes, compound mitre and tool management functions are easily accessed and clearly presented on the 12" touch screen. The F 45 ElmoDrive of course gives you motorised control of all axes and allows you to tilt the saw unit to either side. The lower part of the display can be used to store functions you return to regularly (in the manner of a PC desktop) for even more efficient operation. The F 45 ElmoDrive is the only control unit that can be linked with a cut optimisation package. All in all, nothing comes close to the F 45 ElmoDrive for control technology. Day after day after day.

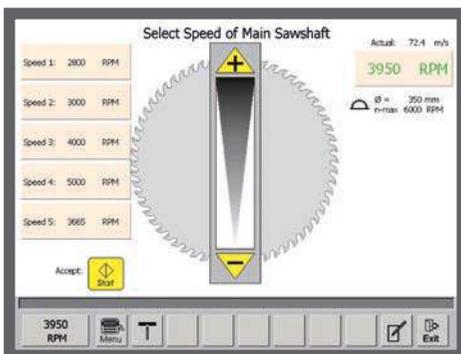




Tool management



Bevel rip



Rotational speed menu

F 45 ElmoDrive

- ▶ The F 45 ElmoDrive includes all of the functions of the F 45 ProDrive and F 45 EvoDrive control units (pages 8 – 11) and more
- ▶ Calculator function, with results transferred to the relevant axes
- ▶ Geometric shapes with automatic calculation of missing angles/dimensions
- ▶ Mitre joints between pieces of different widths with automatic calculation of missing angles/dimensions
- ▶ Interface for connecting to a PC, for example to allow running of cut optimisation programmes*
- ▶ Memory for 9999 cutting programmes

MACHINE IN BASIC SPECIFICATION WITH CONTROL UNIT

M18152 F 45 ElmoDrive

*optional accessory

THE F 45 CONTROL UNITS COMPARED.



F 45 ProDrive



F 45 EvoDrive



F 45 ElmoDrive

OVERVIEW OF THE CONTROL UNITS*	F 45 ProDrive	F 45 EvoDrive	F 45 ElmoDrive
Main saw blade height adjustment	●	●	●
Main saw blade tilt adjustment, one-way and two-way	●	●	●
CNC rip fence	○	○	○
UNO 90 CNC crosscut fence	○	○	○
UNO Flex/DUO 90/DUO Flex CNC crosscut-mitre fence	—	○	○
Vacuum table	○	○	○
TIP-SERVO-DRIVE	○	○	○
Programmes	99	999	9999
Inside/outside dimension function for rip fence	—	●	●
Inside/outside dimension function for crosscut fence	—	●	●
Display/calculation of dimensions for manual adjustments	●	●	●
Tool management	—	100	100
Saving of dimensions in cutting functions	—	—	●
Save 3-axis scoring position	—	●	●
Compound mitre	—	●	●
Design change of the display	—	●	—
Chain groove	—	●	●
Groove	●	●	●
Incremental dimension function for rip fence	—	●	●
Bevel cut with oversize allowance	—	●	●
Mitre joints between pieces of different widths	—	—	●
Geometric shapes	—	—	●
Job time recording	—	—	●
USB interface for programmes and data	●	●	●
Display running performance of the axes	●	●	●
Cut optimisation interface/link	—	—	●
Excel interface	—	—	●
Rip Fence Security	—	—	○
Remote maintenance	—	●	●

● Standard

○ Option

— not included

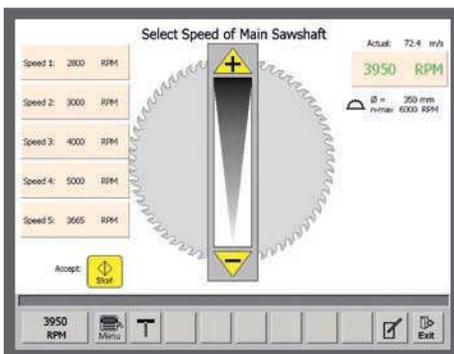
* if hardware available

DRIVES: HIGH TORQUE WITH POWER TO SPARE.

Drives for one-way tilt with manual speed adjustment. The motors are manufactured specially to Altendorf's specifications and have been optimized for use in sliding table saws. They provide up to 20% more torque than conventional electric motors with no increase in power consumption. The three-speed units operate at 3,000, 4,000 and 5,000 rpm and are adjusted manually.

M51100 5.5 kW (7.5 HP) three speeds
M51101 7.5 kW (10 HP) three speeds
M51102 11 kW (15 HP) three speeds

basic specification



VARIO drive for one-way tilt: This drive offers infinitely variable speed control between 2,000 and 6,000 rpm. Matching speed precisely to the material increases not just cutting quality, but also the service life of your saw blades, which, in turn, helps to reduce your costs.

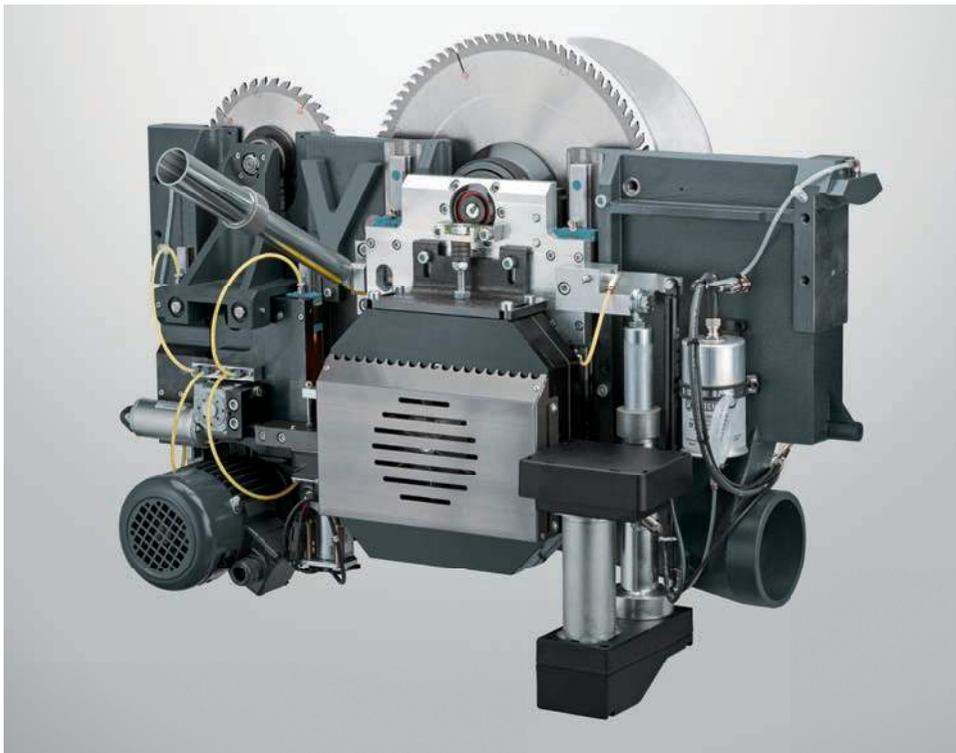
M51103 5.5 kW (7.5 HP)
M51104 7.5 kW (10 HP)

Extended cutting height for one-way tilt: This option is fitted out for one-way tilt with a large extraction hood for a maximum saw blade diameter of 550 mm and a saw blade projection of no greater than 204 mm. The maximum saw blade diameter when used in combination with a scorer unit is 500 mm, which corresponds to a saw blade projection of 179 mm. Only in combination with a motor rated at least 5.5 kW (7.5 HP).

M64080

Special voltages on request.

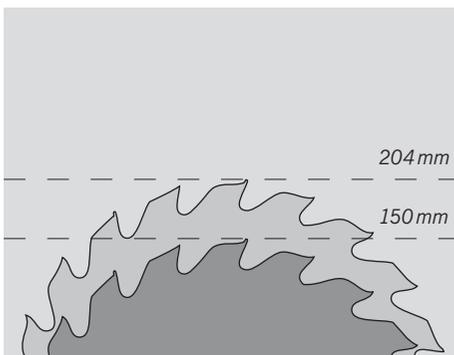
TWO-WAY TILT: ALWAYS PRACTICAL.



Saw unit tilts up to 46° to either side. The ability to tilt the saw unit to either side makes the F 45 an even more versatile cutting machine. There is no need to adjust the extraction hood either, as it simply follows the saw unit. The entire movement, from full tilt one way to full tilt the other, takes just 12 seconds. One of the main applications for the two-way tilt function is the sawing of internal mitres, which can be done easily and safely using the crosscut fence. Just as straightforward are simple bevel cuts and compound mitres. VARIO infinitely variable speed control (2,000–5,000 rpm) makes operation even faster and more user-friendly, while the extremely compact design of the synchronous motor allows it to be linked to the saw shaft with a rigid connection, eliminating at a stroke the potential for faults associated with indirect belt-based linkages. The tilt adjustment feature, which is firmly anchored at the centre of mass of the saw unit, has already proven its mettle 10,000 times over in the one-way tilting F 45: in short, it simply does not twist! The maintenance-free tilt quadrants use a tongue and groove connection system with automatic lubrication.

M18500 5 kW (6.8 HP)

M51059 Additional charge for 6.5 kW (8.8 HP)



Extended cutting height for two-way tilt:

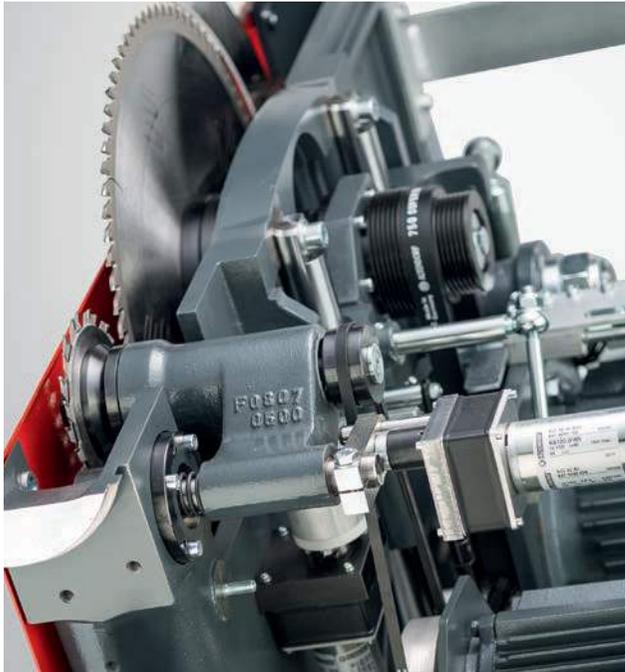
The maximum saw blade projection of 204 mm is achieved with a saw blade diameter of 550 mm, also with a scorer unit. We recommend you to choose the more powerful 6.5 kW (8.8 HP) motor.

M64079



Special voltages on request.

SCORER UNITS: CHIP-FREE AND SAFE.



Two-axis scorer unit. With motorised vertical and lateral adjustment, programmable scorer blade height, rapid deploy and retract and 0.75 kW (1 HP) motor running at 8,200 rpm with one-way tilt or 6,000 rpm with two-way tilt. For retrofitting only to scorer-unit-ready machines.

M24030 One-way tilt, $\varnothing = 120$ mm

M24034 Two-way tilt, $\varnothing = 180$ mm

M24038 Scorer-unit-ready upgrade

Three-axis scorer unit (RAPIDO Plus). With motorised vertical, lateral and cutting width adjustment, including saw blade, programmable scorer blade height, rapid deploy and retract, saw blade width display and 0.75 kW (1 HP) motor running at 8,200 rpm with one-way tilt or 6,000 rpm with two-way tilt. For retrofitting only to scorer-unit-ready machines.

M24021 One-way tilt, incl. parking position and LED illumination, $\varnothing = 120$ mm

M24036 Two-way tilt, $\varnothing = 180$ mm

M24038 Scorer-unit-ready upgrade. (Not in combination with one-way tilt.)



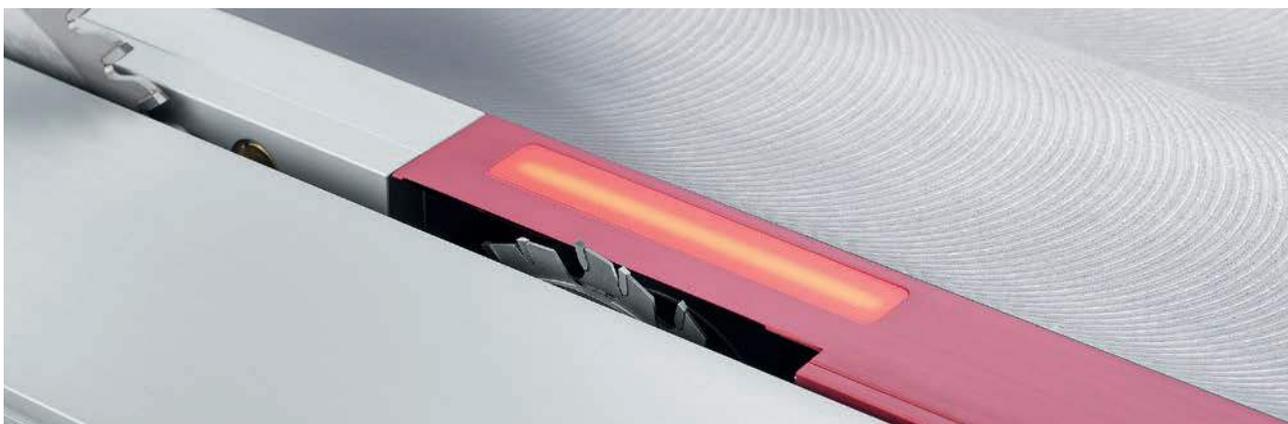
Parking position: The new unit allows the scorer to be moved out of the working area to a much better protected standby position, allowing it to be “parked” safely out of the way when processing solid wood, plastic materials or even aluminium. And since the scorer is always there, but never in the way, it is now also possible to use up to 550 mm-diameter main saw blades without having to plan in additional setup time for the scorer unit. This option is only available for machines with one-way-tilting saw units.



RAPIDO scoring system. The scorer ensures chip-free undersides when working with laminated panels. The RAPIDO system makes adjusting the cutting width straightforward and enables this step to be completed in no more than three minutes. Compared to working with shims, where you have to take the blade off the machine to alter its width, the RAPIDO saves up to 30 minutes, as the blade stays on the machine during adjustment. Adjustment is continuous and precise, so the RAPIDO can be fine-tuned to match the cutting width of any main blade. Range: 3.2–3.8 mm.

M24031 One-way tilt, $\varnothing = 120$ mm

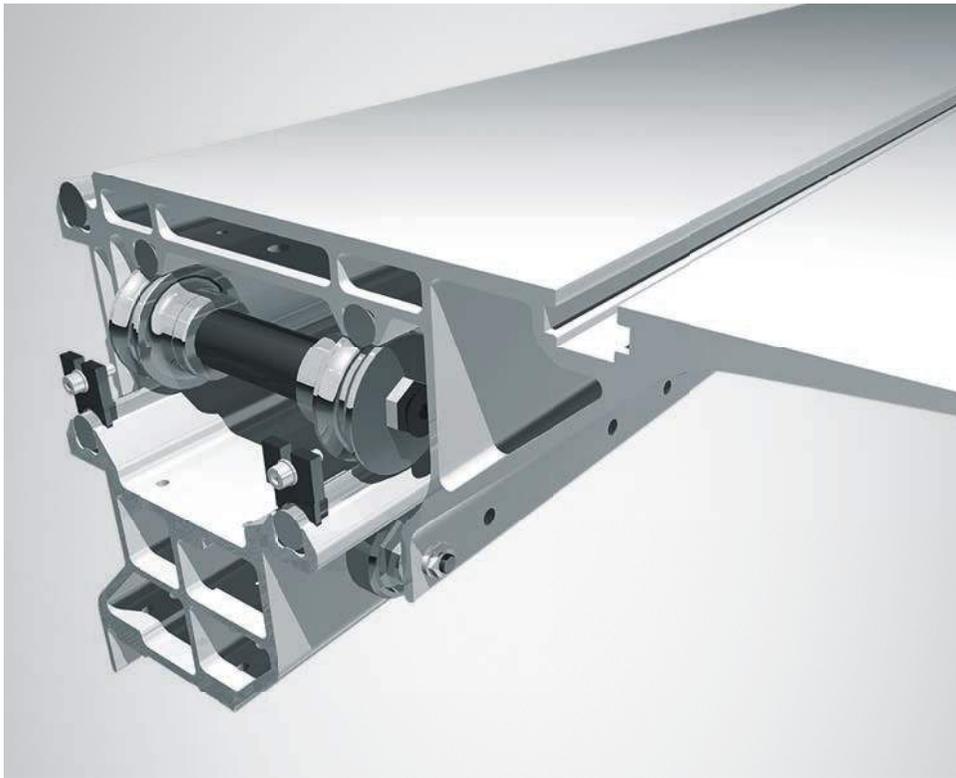
M24035 Two-way tilt, $\varnothing = 180$ mm



LED illumination. Particularly energy-efficient LEDs render the hazard area around the scorer highly visible.

M24037

ADMIRE FOR ITS SMOOTH RUNNING, PRECISION AND SAFETY.



Sliding table. The Altendorf sliding table is renowned for its smooth, precise running. It is infinitely adjustable and can be locked in whatever position required. The large dumbbell rollers guide the moving table with absolute precision between the hard-chromed guide bars. And it retains this ease of movement even after decades of hard work, dust and dirt. The hollow multi-chamber design gives great torsion resistance and rigidity.

M34201 Table length 2,250 mm

M34203 Table length 3,000 mm

M34204 Table length 3,200 mm

M34205 Table length 3,400 mm

M34206 Table length 3,800 mm, with support leg

M34207 Table length 4,300 mm, with support leg

M34208 Table length 5,000 mm, with support leg

basic specification

M37003 On/off switches on sliding table
(not in combination with TIP-SERVO-DRIVE)

M41010 Table extension 840 mm

M41011 Table extension 1,200 mm

basic specification

Strengthened table extension/table expansion: This option delivers what the massive appearance promises. The heavy design was created with tremendous use in mind. A steel frame adds extra strength to the rigidity and stiffness of the proven CDF edition. As a result, it can easily handle really heavy workpieces thrown its way.

M41030 Table extension 840 mm

M41031 Table extension 1,200 mm

M41032 Table extension 1,600 mm

M41033 Table extension 2,000 mm

M41035 Table expansion 1,000 mm

M41036 Table expansion 1,300 mm

M41037 Table expansion 1,600 mm





Vacuum clamping system in the sliding table. Altendorf is the first to apply proven vacuum clamping technology to sliding table saws. The system, which is integrated into the sliding table itself, has at its heart a powerful vacuum pump that generates a vacuum via pairs of suction grippers arranged in the sliding table. The individual suction areas along the sliding table can be controlled individually via the buttons. The outer vacuum row can still be deactivated, allowing you to adjust the vacuum so that it optimally suits the workpiece. The workpiece has a minimum width of 100mm. Wooden, plastic and aluminium panels remain securely in position on the sliding table throughout even complex cuts such as angles, long mitres and cuts to an outside dimension. Another touch of a button is all it takes to release the workpiece. Vacuum clamping improves reliability, precision and convenience and helps to eliminate manual operating errors. All table lengths feature the same six pairs of suction grippers. Additional pairs of suction grippers are available on request. Not compatible with TIP-SERVO-DRIVE.

M64147

TIP-SERVO-DRIVE. The motorised servo drive for the sliding table takes the physical strain off the operator's body, the back in particular, making it very easy to move even the heaviest of workpieces back and forth during cutting. The electronic sensor control handle responds to the lightest of touches. The result: You can maintain an upright and relaxed posture throughout the cutting operation. The TIP-SERVO-DRIVE cannot be used in combination with the on/off switches on sliding table option or the vacuum clamping system in the table option.

M35209



CROSSCUT FENCES WITH FIXED 90° ANGLE: EVERYDAY UTILITY AND CONVENIENCE.



Crosscut fence with fixed 90° angle. The crosscut fence with fixed 90° angle earns its name every day helping out with precision cuts on workpieces of different lengths and formats. The stop can be slid into place easily without lifting. Two flip stops are included.

M44402 Stops to 3,200 mm

basic specification



DIGIT L: for 1/10 mm accuracy when setting the length dimension. The display shows all stop settings applied. The central measuring and display unit calibrates the entire system in one operation. Two flip stops with fine adjustment, two batteries and a charger are included.

M44403 Stops to 3,200 mm

Additional cross slide with double floor support rollers. This accessory is well worth considering if you plan to be sizing large and heavy workpieces of up to 250 kg. Recommended floor rail: flat steel, 10 x 60 mm (length = 2x table length + 900 mm). The floor rail is to be provided by the customer.

M64056



Pull-out cross slide extension. This option makes it easier to cut longer/wider workpieces and increases the width of the support area for the manual crosscut fence.

M64085

CROSSCUT-MITRE FENCES: PRECISION, PLAIN AND SIMPLE.

Crosscut-mitre fence. This patented Altendorf fence, with integral length compensation, makes it easier to perform bevel cuts and mitre cuts precisely in one function. The set angle can be adjusted continuously over a range of 49° with a graduated scale and the robust, free-sliding zero-play flip stops can be positioned individually at any distance up to a maximum of 3,500 mm. The outer stop docks into the roller-stabilised telescopic extension for distances longer than about 1,700 mm. The integral length compensation feature enables the fence to be moved precisely to any required position when cutting mitres with no need of additional length compensation aids: simply slide the fence rule to the desired angle using the scale and then set the flip stop to the length required.

M44404 Stops to 3,500 mm

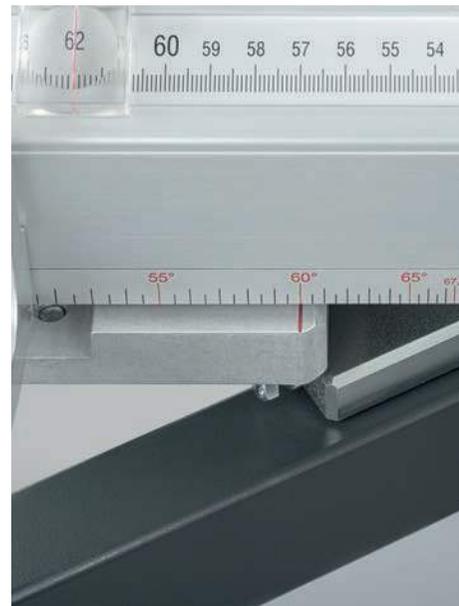


DIGIT L: for 1/10 mm accuracy when setting the length dimension. The display shows all stop settings applied. The central measuring and display unit calibrates the entire system in one operation. Two flip stops with fine adjustment, two batteries and a charger are included.

M44406 Stops to 3,200 mm

DIGIT LD: for 1/10 mm accuracy when setting the length dimension. The display shows all stop settings applied. The central measuring and display unit calibrates the entire system in one operation. and displays angles in digital format, enabling a level of precision of $\pm 1/100^\circ$. The length dimension is calculated automatically as a function of the mitre angle. Two flip stops with fine adjustment, two batteries and a charger are included.

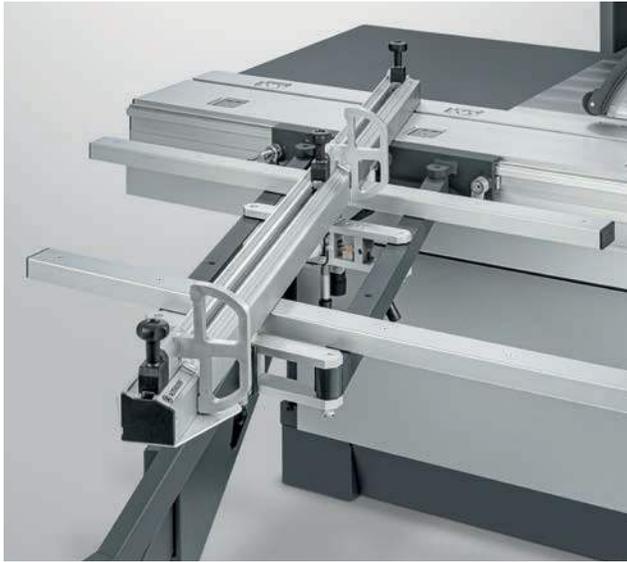
M44408 Stops to 3,200 mm



Pull-out cross slide extension. This option makes it easier to saw longer/wider workpieces and increases the width of the crosscut-mitre fence. It extends to a distance of 650 mm.

M64085

THE PARALLELOGRAM CROSS SLIDE: STRAIGHTFORWARD IN USE.



Parallelogram cross slide (PQS). Changing was yesterday! The fence rule arranged in the centre allows the workpiece to be positioned at the front and the rear. The two adjustable supports ensure secure support here. Not only is this unique, it is also quick and easy. Features a robust 90° locking mechanism that ensures the right-angle position is absolutely reproducible. The fence can be angled by up to 47° in either direction. The integrated digital display shows the set angle with an accuracy of 1/100° for optimal precision. Also included is length compensation, which is simply taken from a scale when the fence is angled. Two flip stops are included.

M44485 Stops to 3,500 mm



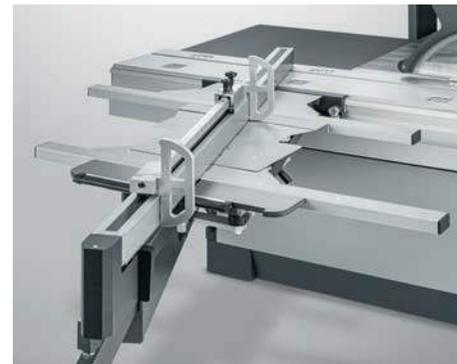
DIGIT LD: for 1/10 mm accuracy when setting the length dimension. The display shows all stop settings applied. The central measuring and display unit calibrates the entire system in one operation and angles are displayed in digital format, enabling a level of precision of $\pm 1/100^\circ$. The length dimension is calculated automatically as a function of the mitre angle. Two flip stops with fine adjustment, two batteries and a charger are included.

M44412 Stops to 3,200 mm (movable)



Parallelogram cross slide (UNO Flex): Changing was yesterday! The fence rule arranged in the centre allows the workpiece to be positioned at the front and the rear. The two adjustable supports ensure secure support here. Not only is this unique, it is also quick and easy. In combination with the motorised flip stops this stop system unites flexibility and productivity in a total special way. The length compensation is automatic; the saw blade's cutting angle and the saw blade thickness are also considered. The narrow design with centre-arranged fence rule means the material can be positioned at the front and the rear without having to change the rule. The adjustable supports enable an individually shaped support area. The system works accurately and wear-free. The flip stops move motorised after the dimensions are entered on the machine's control panel. The absolute measuring system for length compensation and angle measurement means all values when changing saw blade thickness, cutting and/or plane angles are integrated into the position correction. After pressing the "Start" button the flip stops are repositioned. Not compatible with the F 45 ProDrive control unit.

M44484 Stops to 3,500 mm



CNC CROSSCUT FENCES: MOTORISED FOR CONVENIENCE.

2425



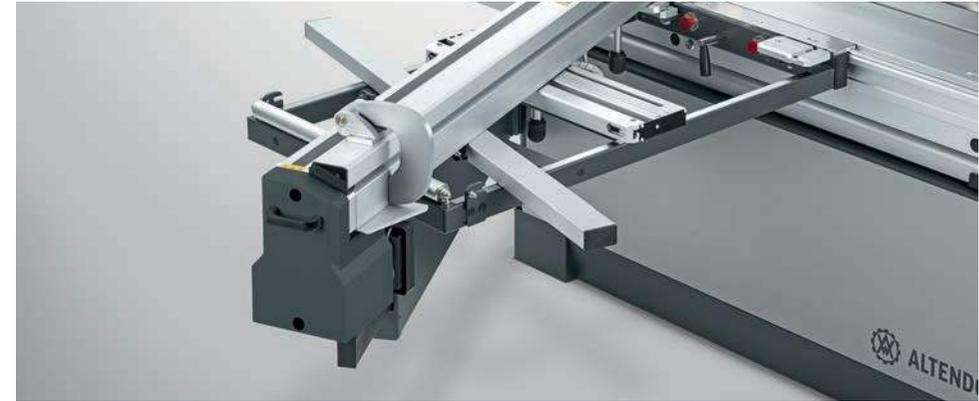
UNO 90 CNC crosscut fence. Fixed in the 90° position, the UNO 90 CNC crosscut fence enables efficient and precise execution of right-angled cuts. The flip stop has a maximum travel of 1,900 mm as standard, but the extension supplied can be fitted manually to give a longer fence with a maximum dimension of 2,900 mm if required.

M44413 Stops to 2,900 mm



DUO 90 CNC crosscut fence: This fence features two CNC flip stops with a maximum travel of 3,500 mm. It is fixed in the 90° position. Workpieces can be positioned against either side of the fence. The DUO 90 CNC crosscut fence is not compatible with the F 45 ProDrive control unit.

M44414 Stops to 3,500 mm



DUO FLEX CNC crosscut-mitre fence. The DUO Flex fence can be angled manually by up to 47° for easy and convenient bevel and mitre cuts. It includes automatic length compensation and two motorised flip stops (travel to 3,500 mm). It is not necessary to lift the fence to switch between the front and rear positions on the cross slide. The flip stops can be used on both sides. This means you can make mitre cuts to the inside or outside dimension and cut compound mitres in a single operation. The DUO Flex CNC crosscut-mitre fence is not compatible with the F 45 ProDrive control unit.

M44415 Stops to 3,500 mm

Cross slide extension. The cross slide extension makes it easier to saw wider/longer workpieces. Total extension to 650 mm.

M64085 UNO 90 (pull-out)

M64087 DUO 90 (fixed)

M64088 DUO Flex (pull-out)

THE ALTENDORF RIP FENCES: PRECISION WITHOUT EQUAL.



Rip fence with manual fine adjustment. Setting the fence is easy; the precision fine adjustment makes for great accuracy. The hard chrome-plated round bar system ensures the fence moves smoothly. The rip fence drops down clear of the machine table level to free up extra space for dividing large panels.

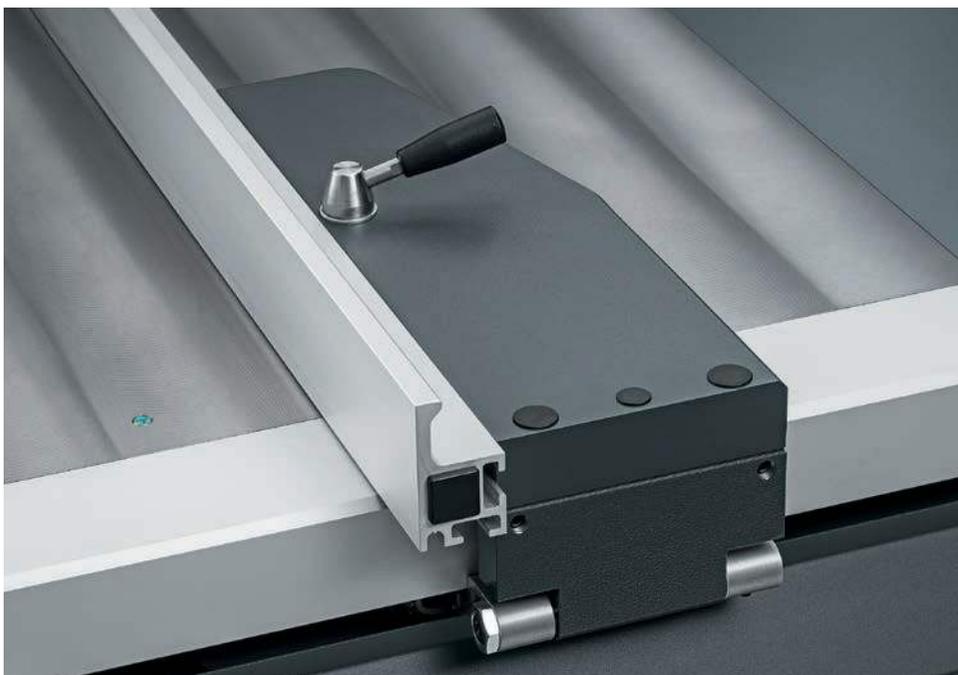
- M44420** Cutting width 800 mm
- M44421** Cutting width 1,000 mm
- M44422** Cutting width 1,300 mm
- M44423** Cutting width 1,600 mm

basic specification

Rip fence with DIGIT X: Digital cutting width display for the rip fence with manual fine adjustment. This electronic measuring system ensures rapid and precise positioning of the rip fence. Recurring dimensions can be reproduced exactly and checked on the DIGIT X display. The correction for the rip fence position is shown digitally on the machine control unit's display when working with the saw blade tilted. The system is not subject to wear and is unaffected by dust. Dimensions are corrected automatically when the fence is switched between the upright and the flat position.

- M44430** Cutting width 800 mm
- M44431** Cutting width 1,000 mm
- M44433** Cutting width 1,300 mm
- M44434** Cutting width 1,600 mm





CNC rip fence. The CNC rip fence has a traverse speed of 250 mm/s and an accuracy of $\pm 1/10$ mm. The high-precision five-point recirculating ball spindle system needs little maintenance and, along with the motor, is well protected by its integration into the aluminium profile. The fence detects its position automatically, especially in the danger area around the saw blade, and has an emergency cut-out to prevent the risk of crushing. Dimensions are corrected automatically when the fence is switched between the upright and the flat position or when working with the saw blade tilted.

M44440 Cutting width 800 mm

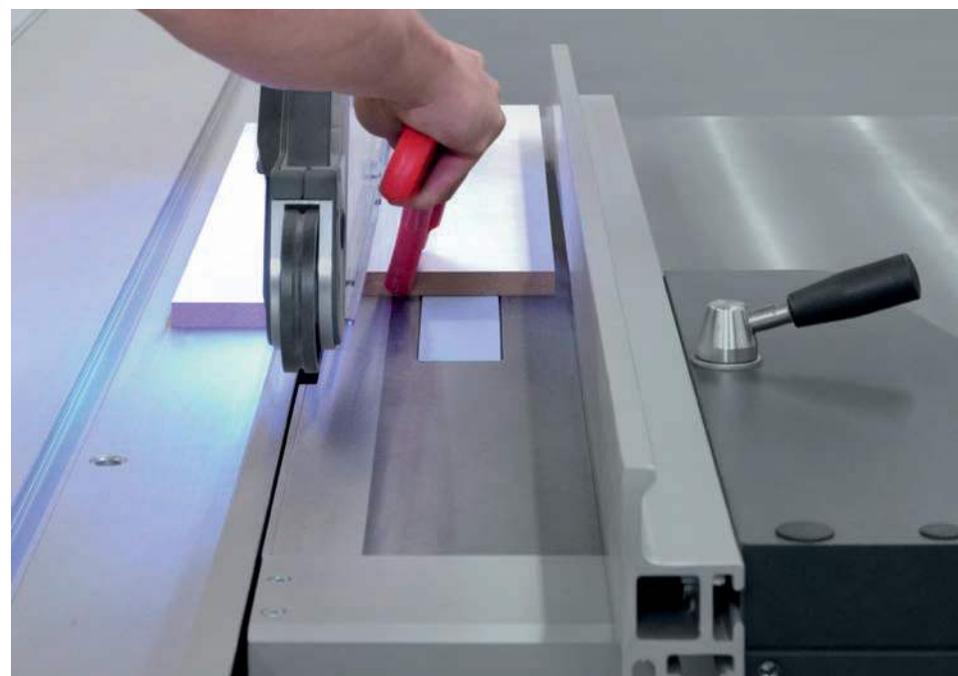
M44441 Cutting width 1,000 mm

M44443 Cutting width 1,300 mm

M44444 Cutting width 1,600 mm

Altendorf Rip Fence Security: The new safety system for the motorized rip fence recognizes exactly when the workpiece has been completely cut through. Immediately the fence is automatically moved away so that you can easily and safely push the workpiece past the saw blade. Traces on the cutting edge and kick-back effects are a thing of the past. The intelligent sensor system detects workpieces as small as 115 mm wide.

M44092



EVEN MORE WAYS TO SIMPLIFY YOUR WORK.



Toolbox. The practical toolbox is a drawer capable of holding up to six tool carriers (maximum saw blade diameter 550 mm) ready for use. Four tool carriers are included in the standard scope of supply. This option requires a minimum sliding table length of 3,000 mm.

M44453

STEG. The STEG second support makes sizing large panels easier.

M44452



Clipboard. The clipboard mounted at eye level directly on the control unit is convenience itself. Parts lists are secured with a clamp, enabling you to keep a close eye on your jobs or other working documents as you cut. Thanks to the integrated storage ledge, you will always have your tools accessible.

M62003



Front support roller. The 300 mm-wide front support roller is particularly useful when cutting longer workpieces on the rip fence. It can be folded down through 90° in one movement to stow under the sliding table (minimum length 3,000 mm) when not required.

M44450



DOUBLE-SIDED MITRE FENCES: TWICE AS USEFUL.



DUPLEX double-sided mitre fence. DUPLEX fences enable bevel cuts at any angle between 0 and 90° with speed and precision. Set it to 45° and a mitre cut can be made on both sides of the workpiece without further adjustments. Dimensions of the flip stops are set using a measuring scale and magnifier. All DUPLEX fences can be positioned anywhere along the entire length of the table. With no more than 17 kg all DUPLEX models now have improved handling.

M64220 Stops to 1,350 mm

M64221 Stops to 2,150 mm

DUPLEX D. The DUPLEX D provides the same functionality as the DUPLEX plus a digital angle display that shows values to an accuracy of 1/100°.

M64222 Stops to 1,350 mm

M64223 Stops to 2,150 mm



DUPLEX DD. The DUPLEX DD has been patented worldwide. Its greatest benefits are that it not only eliminates tedious calculations and measurement checking completely, but even removes the need for test cuts. The high precision DUPLEX DD electronics incorporate automatic length compensation and calculate the distance to the stops as a function of the angle on both sides of the fence and display both figures digitally. Digital angle display and digital length display for adjustment, automatic length compensation. Battery and charger included.

M64224 Stops to 1,350 mm

M64225 Stops to 2,150 mm

RETAIN WORKPIECES SECURELY FOR SAFER WORKING.



Air cushion table: The first air cushion table is now available as an optional feature for the F45. The compressed-air unit operates on the right-hand side of the saw blade to make work at the rip fence easier. The air cushion reduces the frictional resistance between the material and the machine table by up to 80%, which not only makes handling heavy workpieces much easier, but also, being an essentially contact-free technology, greatly reduces the risk of the workpiece being scratched as it passes over the machine table.

M64186 Air cushion table

Table extension/table expansion with air cushion: With this addition to air cushion machine tables, the entire width and length of heavy and delicate workpieces are protected from scratching by an air cushion. The air supply to the machine is provided independently to add more flexibility.

M41040 Table extension with air cushion 840 mm

M41042 Table extension with air cushion 1,600 mm

M41046 Table expansion with air cushion 1,300 mm

Pneumatic quick-action clamp. Secures the workpiece in place on the sliding table. Activated by radio remote control, the quick-action clamp exerts a clamping force of up to 1,000N. The workpiece is held rock solid against the crosscut fence. It can clamp workpieces up to 170 mm thick. Available with one or two clamping units. Pneumatic connection to be provided by customer (6 bar).

M64091 With one clamping unit (clamping range 0–90 mm)

M64092 With two clamping units (clamping range 0–90 mm)



Manual quick-action clamp. The alternative to the pneumatic quick-action clamp. The manual quick-action clamp can be easily positioned on the sliding table and fixed. The workpiece is then firmly secured on the table and the crosscut fence. It has a clamping height of up to 200 mm and provides extra safety at very little extra cost. Not available in CE region.

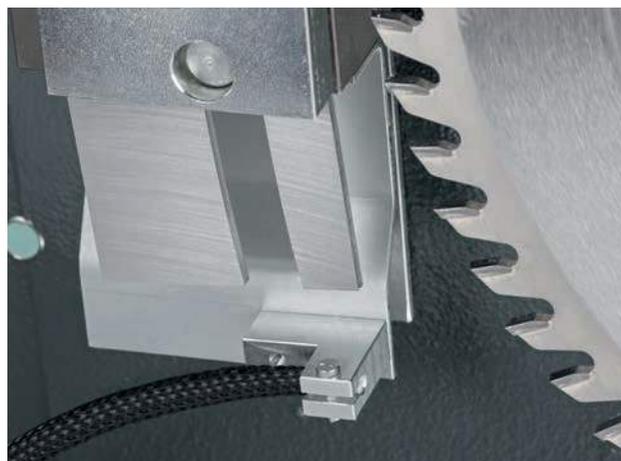
B1418.0170



PALIN: Used in combination with the crosscut fence, the PALIN allows you to cut parallel and conical workpieces on the sliding table. By butting against the side of the workpiece, differing lengths can be cut quickly and precisely without having to move the PALIN. One other benefit: By folding the measuring system away the PALIN also serves as an additional workpiece support. Also available is the PALIN D model, which offers digital measurement display and fine adjustment. Adjustment range 80-950 mm.

M64190 PALIN, graduated scale for adjustment

M64191 PALIN D, digital measurement display with fine adjustment, batteries included



Coolant spray device. Use of a coolant spray device is recommended when working with plastics with a low melting point and for certain light metal alloys. Your Altendorf will cut so aluminium and plastics cleanly, with sharp contours, to within a tenth of a millimetre.

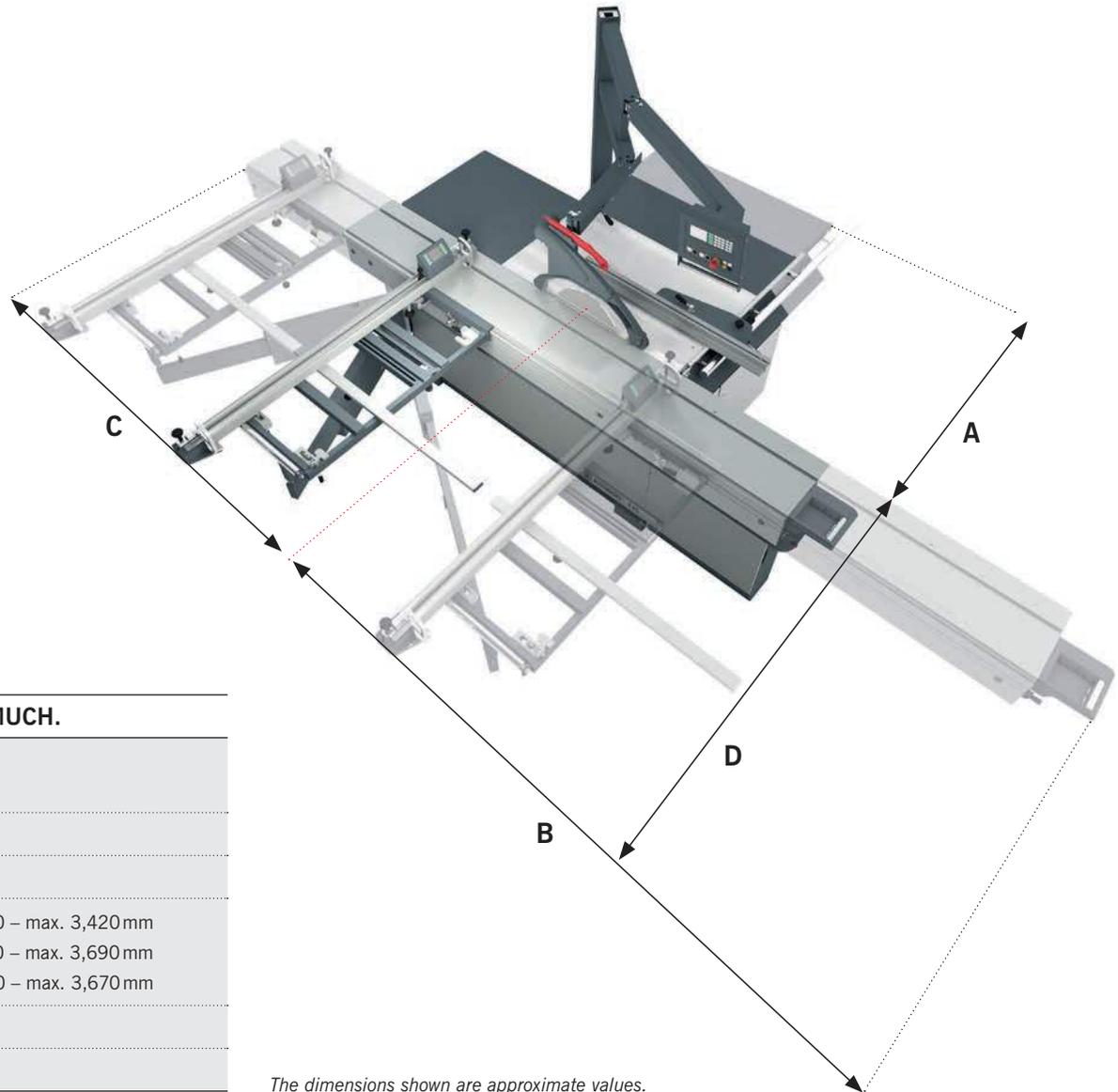
M64067



Laser cutting line marker. The laser cutting line marker shows the cutting line clearly for all cut lengths, which is useful when trimming or cutting marked jobs such as steps. Use it to save both time and materials.

M64066

TECHNICAL SPECIFICATIONS



YOUR F45 NEEDS SPACE. SEE BELOW TO FIND OUT HOW MUCH.

A	Manual adjustment: cutting width + 280 mm Motorised adjustment: cutting width + 360 mm
B	Table length + 360 mm
C	Table length + 290 mm
D	Crosscut fence: 1,890 – max. 3,420 mm Crosscut-mitre fence and parallelogram cross slide: 1,960 – max. 3,690 mm UNO/DUO CNC crosscut fence: 2,200 – max. 3,670 mm
	Machine weight starting at 1,170 kg, depending on configuration
	Table height 910 mm, 880 mm or 850 mm

The dimensions shown are approximate values.

SLIDING TABLE CUTTING LENGTHS Maximum cutting lengths when using clamping shoe or crosscut fence. Not in conjunction with crosscut fence, stops to 2,500mm.

Table length (mm)	2,250	3,000	3,200	3,400	3,800	4,300	5,000
Cutting length (mm) with WA, WGA and UNO	2,150	2,900	3,100	3,300	3,700	4,010	4,010
Cutting length (mm) with DUO and DUO Flex	2,120	2,870	3,070	3,270	3,670	3,980	3,980
Cutting length (mm) with PQS, PQS LD and UNO Flex	1,880	2,630	2,830	3,030	3,430	3,740	3,740

TIP-SERVO-DRIVE

Cutting length (mm) without scoring saw blade	1,840	2,590	2,790	2,990	3,390	3,870	3,870
Cutting length (mm) with scoring saw blade	1,725	2,475	2,675	2,875	3,275	3,775	3,775

MAXIMUM SAW BLADE PROJECTION ¹⁾Scoring tool must be removed. ²⁾Not compatible with scorer unit. ³⁾No restriction with three-axis scorer unit.

	One-way tilt			Two-way tilt		
Saw blade diameter (mm)	450 ^{1/3}	500 ^{1/3}	550 ^{2/3}	450 ¹	500 ¹	550 ¹
Saw blade projection 90°	154	179	204	154	179	204
Saw blade projection +45°	105	123	141	105	123	141
Saw blade projection -45°	—	—	—	78	96	114

ELECTRICAL POWER REQUIREMENTS

	One-way tilt				Two-way tilt with VARIO		
Motor (kW)	4	5,5	7,5	11	VARIO	5	6,5
Voltage (V)	380-420	380-420	380-420	380-400	380-400	380-400	380-400
Frequency (Hz)	50	50	50	50	50	50	50
Current (A) without/with scorer	8/10	11.5/13.5	15.5/17.5	22.5/24.5	11/13	11/13	15/17
Fuses	20	25	25	35	35	35	35

DUST EXTRACTION CONNECTIONS

Top connection	Ø = 80 mm
Bottom connection	Ø = 120 mm
Pressure drop	1,200 Pa with a total connection diameter, Ø = 140 mm
Minimum air requirement	V _{min} = 1,110 m ³ /h at 20 m/sec

AIR CUSHION TABLE

Compressed air consumption	200 l/min at 1 bar (max 400 l/min at max 3 bar)
----------------------------	---

The cross section of the mains cable depends on the machine's distance from the power source and must be determined by a qualified electrician (Power drop in the input cable ≤ 3%). For VARIO machines: RCD protection type B, all current (AC/DC) sensitive. The minimum cross section of the mains cable for machines with VARIO motor is 4x4 mm². Please contact your Altendorf sales partner if your power supply does not match the requirements shown. Workstation noise level 84.1 dB (A).

RELIABLY AT YOUR SIDE WITH EXPERTISE AND A PERSONAL TOUCH:

THE ALTENDORF SERVICE TEAM

Our team of Altendorf service engineers, customer advisors and sales staff provides a rapid and uncomplicated response to every customer enquiry. Typically over 90% of enquiries are resolved successfully at the first attempt. We can help you even faster over the telephone if you register your saw with us in advance. Our experienced field service team and numerous trained specialist dealers ensure continuous customer care worldwide.

The Altendorf Service Hotline: +49 571 9550 222



ALTENDORF INSPECT: THE HEALTH CHECK FOR YOUR SLIDING TABLE SAW

ALTENDORF INSPECT.

Altendorf saws are built to run and run. Even the best saw needs a little care now and again though, which is why we created Altendorf Inspect: the health check for your Altendorf sliding table saw. An Altendorf service engineer will give your saw a thorough examination, establishing whether any of the parts subject to wear need to be replaced, reviewing the basic settings of your saw and checking all machine functions, all for an eminently affordable fixed price. Our only additional charge will be for any replacement parts required.



SUPPORT SERVICE WHENEVER YOU NEED IT.

REMOTE MAINTENANCE DIRECTLY FROM ALTENDORF.

Altendorf's Remote Maintenance service enables you to access immediate support for your F 45*. The software allows our Support Team to access your machine directly. We can then check your control unit, eliminate error sources and adjust settings. If our service engineers need you to do anything (like press the Start button, for example), they'll simply give you instructions using the integrated chat function.

Registration benefits

- ▶ Fast, accurate fault identification
- ▶ Reduced machine downtime
- ▶ Remote maintenance directly via the screen, not just over the telephone
- ▶ Very low failure rate thanks to direct access to the control unit
- ▶ Chat function
- ▶ Always current
- ▶ Free to use during the warranty period
- ▶ Term: 1 year
- ▶ Adaptor delivered free of charge



**Only for Altendorf F 45 EvoDrive or ElmoDrive type machines produced in or after 06/2015 with corresponding software update, and network cable upgrade.*

A GUARDIAN ANGEL FOR YOU AND YOUR ALTENDORF.

ALTENDORF HAND GUARD!

Our system for the early detection of a dangerous situation on sliding table saws is like a guardian angel for you and your sliding table saw. Because Altendorf Hand Guard recognizes and eliminates the danger before an accident happens. Thanks to the complex hand recognition technology, the saw unit is quickly lowered and the saw blade stopped within a quarter of a second in dangerous situations. Users remain unharmed and the machine and saw blade are intact.

The groundbreaking development from Altendorf was awarded the OWL innovation prize.



