

ALPHA-BRUSH EXTREME CCBDD

Details and Benefits

STILES | HC

YOUR SOLUTION

ALPHA-BRUSH EXTREME CCBBDD



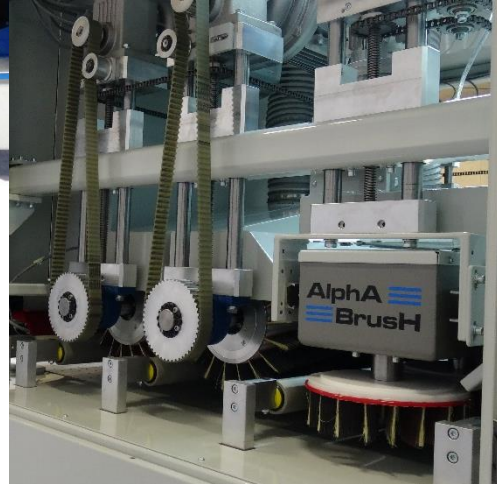
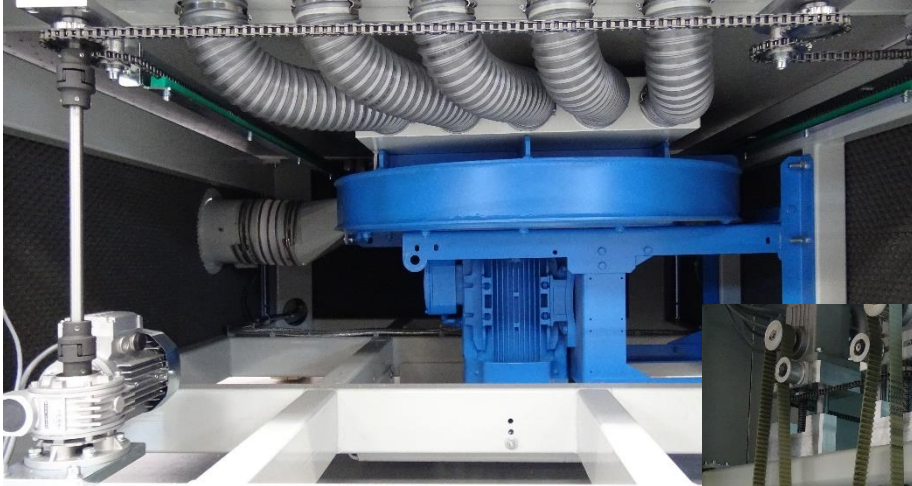
BASIC SPECIFICATIONS

- Sanding Width: 53" (1350mm)
- Sanding Thickness: 0-100mm (4")
- Station 1: Cross Brushes
 - 250mm Cross Brush
 - 250mm Cross Brush
- Station 2: Helical Barrel Brushes
 - 400mm Helical Barrel Brush
 - 400mm Helical Barrel Brush
- Station 3: Oscillating Double Disc Station
 - 2 Rows of 250mm Discs
 - Oscillation for uniform coverage
 - Hybrid Discs Design (Angled strips)
- Variable Speed and Direction on all Heads
- Turbo Blower Part Cleaning
- 14" Color Touchscreen Control
- Vacuum Bed with automatic variable control
- Fixed Passline Height (35")

APPLICATIONS

- Edge Breaking / Denibbing
- Whitewood Surface Preparation
- Sealer & Intermediate Sanding

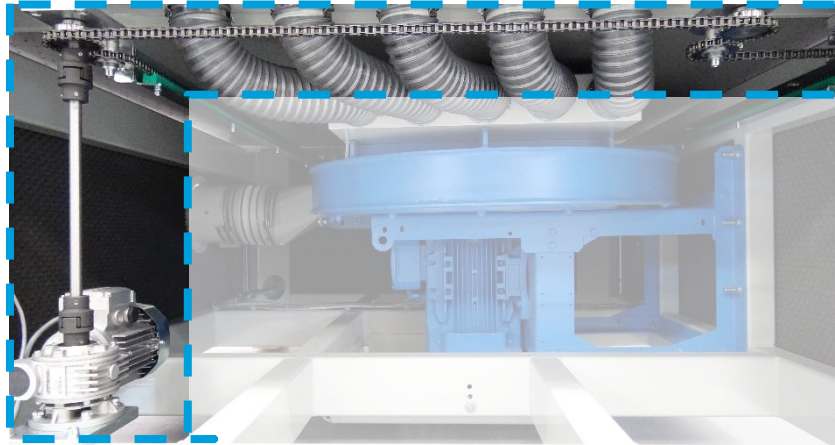
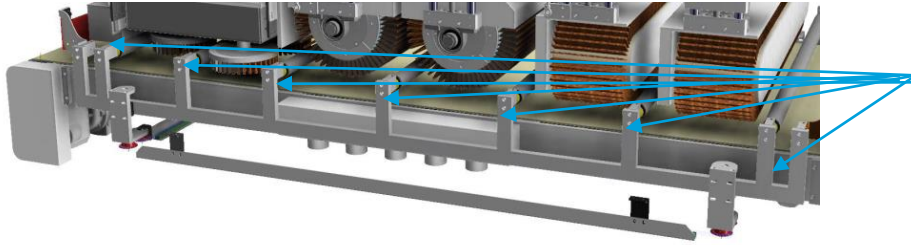
STABLE MACHINE FRAME & CONSTRUCTION



DETAILS

- **Stable & Clean Machine Construction**
 - Heavy welded frame for longevity and stability
 - Heads Mounted on Structural Cross Beams
 - Height Height Adj, Drives mounted in upper housing
 - Easy access for service
- **Machine weight**
 - Extreme CCBBDD: ~7,700 lbs

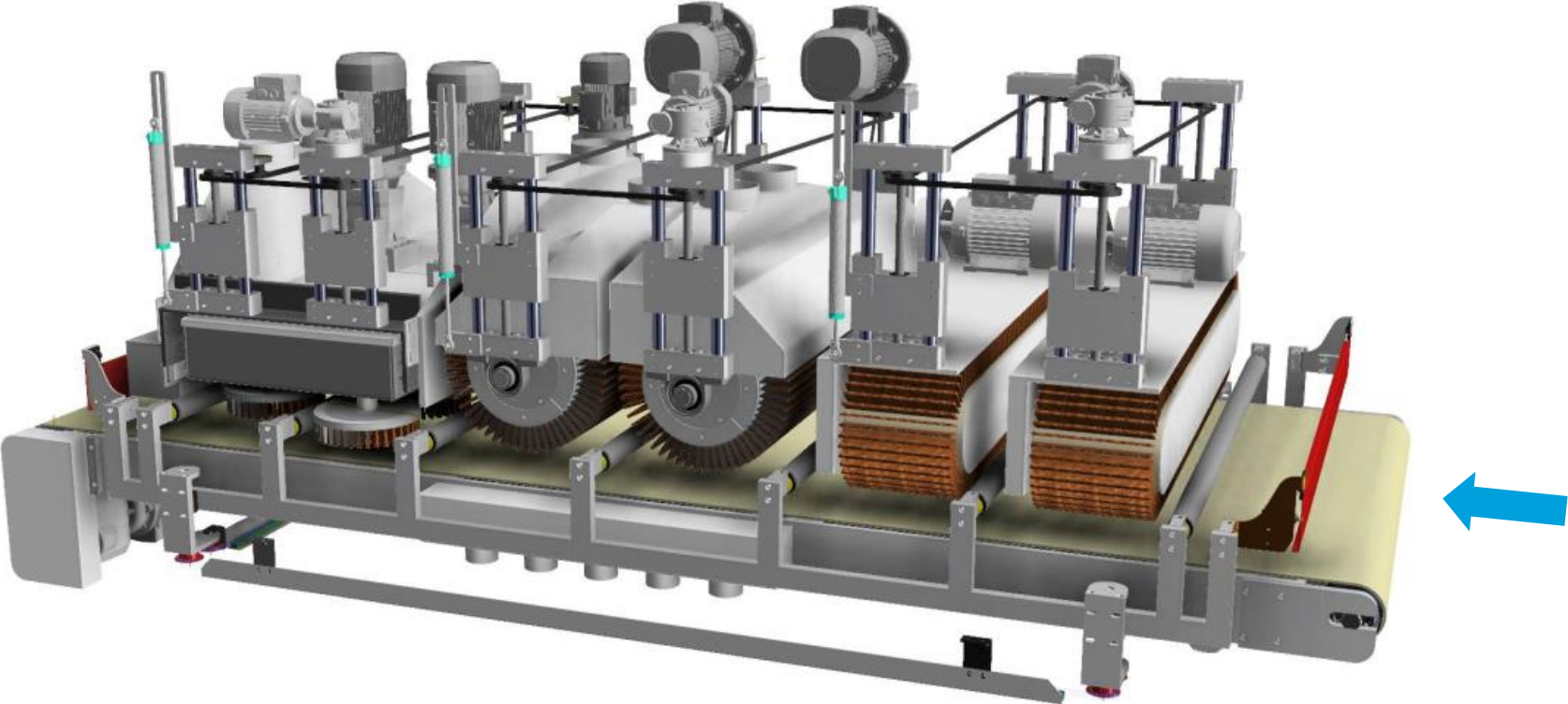
INDEPENDENT THICKNESS ADJUSTMENT & HOLD DOWN



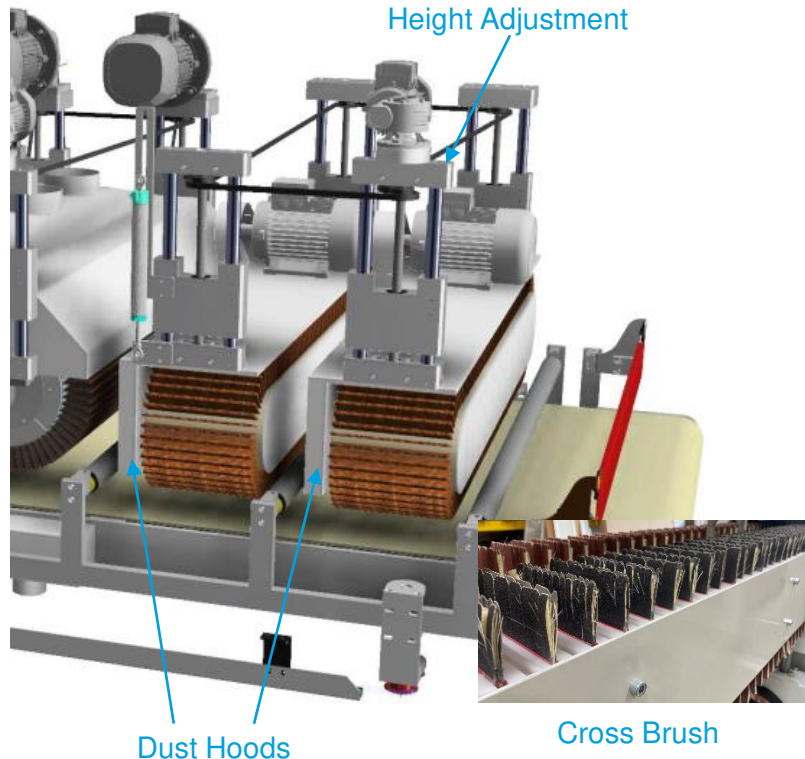
DETAILS

- Workpiece thickness adjustment independent of head adjustment
- Hold-down roller adjustment from the bottom for ALL sanding heads
 - Robust yet simple adjustment system in base of machine
 - Easily adjusted from control without impacting brush projection
- Optimal workpiece hold down regardless of head configuration

SANDING HEAD CONFIGURATION



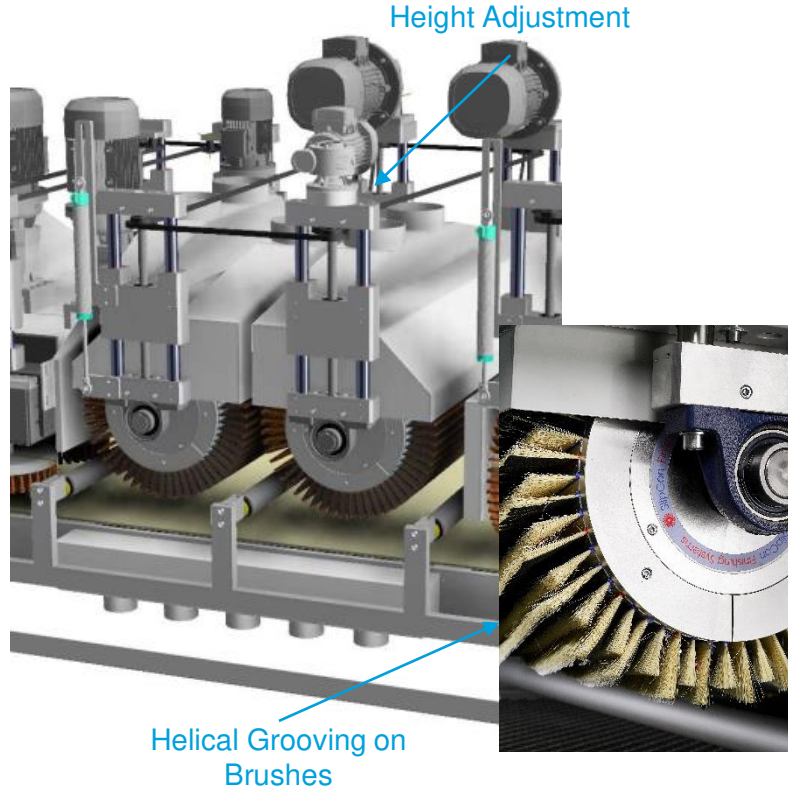
STATION 1: CROSS BRUSHES



DETAILS

- **Cross Brush Sanding Station**
 - 2 Cross Brushes
 - 250mm Width Per Cross Brush for Excellent Dwell Time
 - 2.2kw (3HP) Per Cross Brush
 - Variable Speed & Direction
 - Variable Brush RPM
 - Bi-Directional and Counter Rotating
 - Double Side Strips Possible (sealer / whitewood)
 - Dust Hoods Integrated along Complete Back Side
 - Helps Remove Dust
 - Keeps strips cool for best performance & life
- **Height Adjustable Via Controller**
 - Brush Projection independent of workpiece thickness
 - Station Independent from other stations
- **Hold Down Rollers**
 - Before, between and After Heads
 - Holds down lightweight parts like face frames

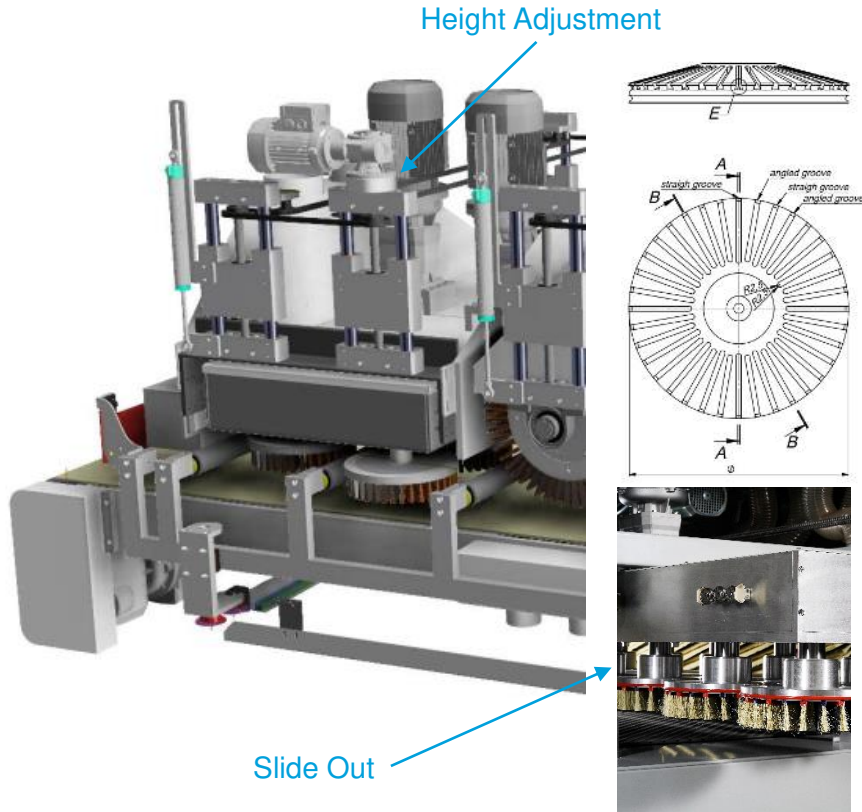
STATION 2: HELICAL BARREL BRUSHES



DETAILS

- **Helical Barrel Brush Sanding Station**
 - 2 Helical Barrel Brushes
 - 400mm Diameter
 - 2.2kw (3HP) Per Brush
 - Variable Speed & Direction
 - Variable Brush RPM
 - Bi-Directional and Counter Rotating
 - Double Side Strips Possible (sealer / whitewood)
 - Ideal for Inner Panels – Centrifugal force
 - Helical Brush Pattern
 - Contact point at angle
- **Height Adjustable Via Controller**
 - Brush Projection independent of workpiece thickness
 - Station Independent from other stations
- **Hold Down Rollers**
 - Before, between and After Heads
 - Holds down lightweight parts like face frames

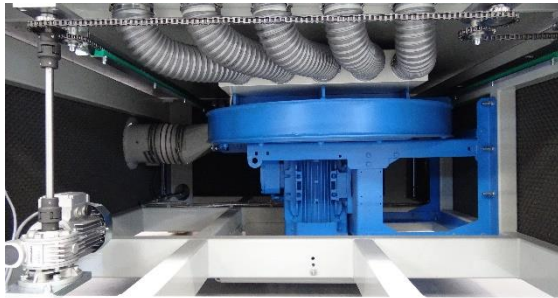
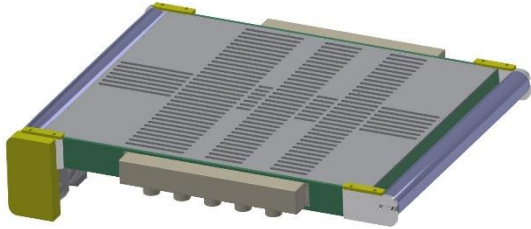
STATION 3: OSCILLATING DOUBLE DISCS



DETAILS

- **Oscillating Double Disc Sanding Station**
 - 2 Rows Oscillating Discs
 - 250mm Diameter Discs for Excellent Dwell Time
 - Special Angled Disc Pattern (Flat / Angled)
 - 2.2kw (3HP) and 0.37kw (0.5HP) for Oscillation
 - Variable Speed & Direction
 - Variable Brush RPM
 - Bi-Directional and Counter Rotating
 - Double Side Strips Possible (sealer / whitewood)
 - Ideal for Inner Panels – Centrifugal force
- **Slide Out Mechanism for Easy Brush Changes**
 - Slides out Left and Right
- **Height Adjustable Via Controller**
 - Brush Projection independent of workpiece thickness
 - Station Independent from other stations
- **Hold Down Rollers**
 - Before, between and After Heads
 - Holds down lightweight parts like face frames

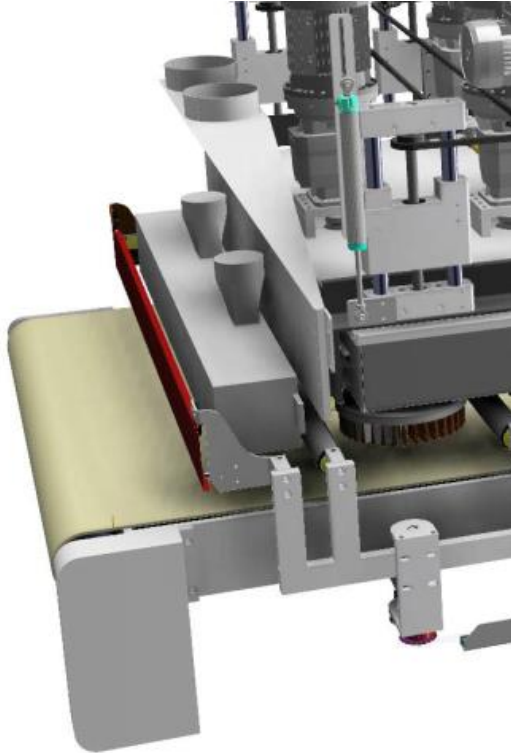
VACUUM BED & DRIVE SYSTEM



BENEFITS

- **Heavy Duty Fabricated Steel Conveyor Bed**
 - Slotted hole pattern for optimal hold down
 - Vacuum concentrated under each station
- **Integrated High Performance Vacuum**
 - Integrated into machine base
 - 11kw (15 HP) Vacuum Blower
 - Flat conveyor belt
- **Automatic Variable Vacuum**
 - Atomically Adjusted Pressure
 - Controlled Via Damper based on Amp Load
 - Ensures Optimal Vacuum whether feed belt is full or if just running single pieces
- **Robust Conveyor Drive System**
 - Rubberized drive roller = no slipping
 - Frequency driven gearbox for feed drive

TURBO BLOWER PART CLEANING SYSTEM



BENEFITS

- Turbo Blower Cleaning
 - Air jets blast surface clean
 - Ideal for profiled or flat surfaces
 - Non wearing cleaning system
 - Operate only when parts are present
- Keep Conveyor Belt Clean
- Located at Machine Outfeed

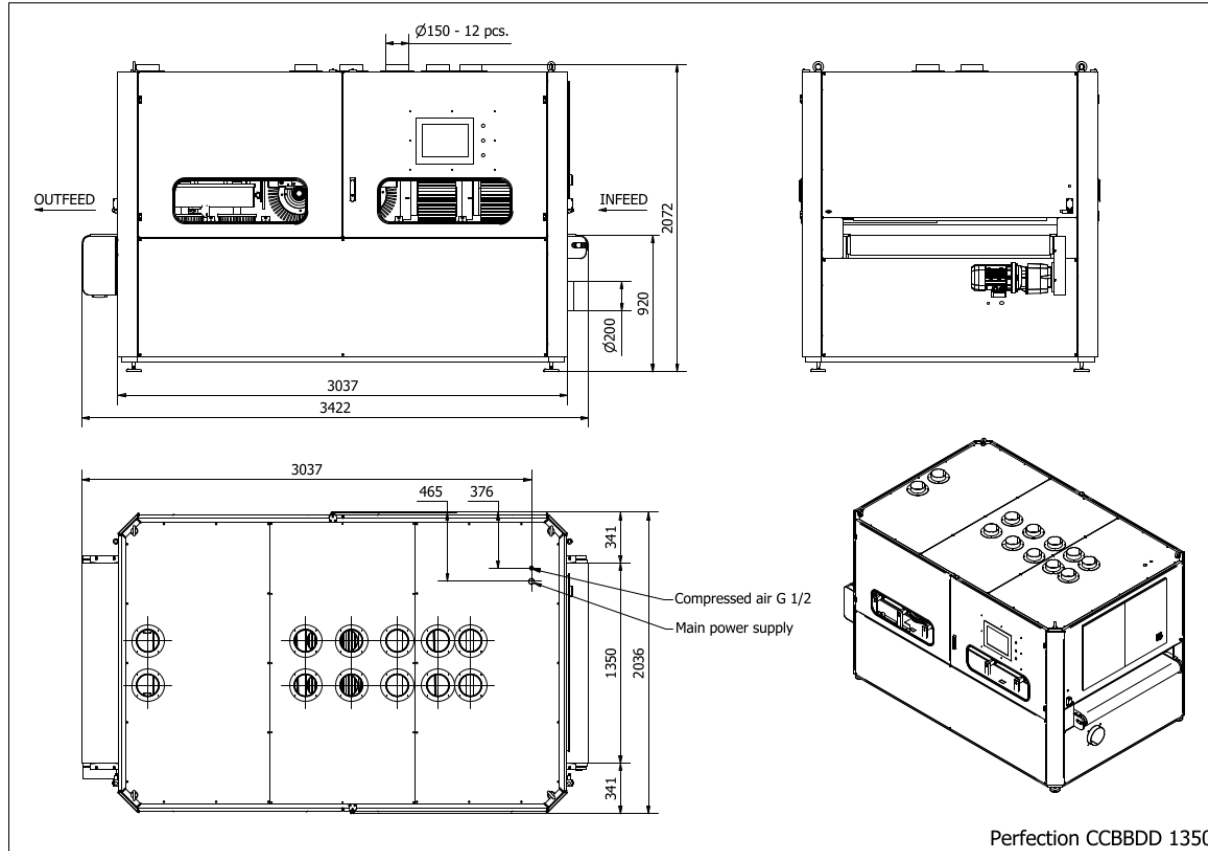
TOUCH SCREEN CONTROLLER



BENEFITS

- **14" Color Touchscreen Control**
 - Easy to Navigate Display
 - Remote Diagnostics
- **Full Machine Programmability**
 - Height, Heads, Functions
 - Programs for saving parameters and recipes
- **Single Button Starting**
 - Automatic star delta motor starting in sequence to prevent power spikes at startup
- **Integrated Error Messaging and Troubleshooting**
 - Fast diagnostics

MACHINE FOOTPRINT



Perfection CCBDD 1350

Stiles Machinery
3965 44th St. SE
Grand Rapids, MI 49512

www.stilesmachinery.com

STILES | HC

YOUR SOLUTION